

PEC Code: 5335-030
COM Code: 408184562
Model: LURCSE

UL Listed (UUMW) Flush-Mounted Loudspeaker Enclosure for Use in Return Air Ceiling Plenum Spaces

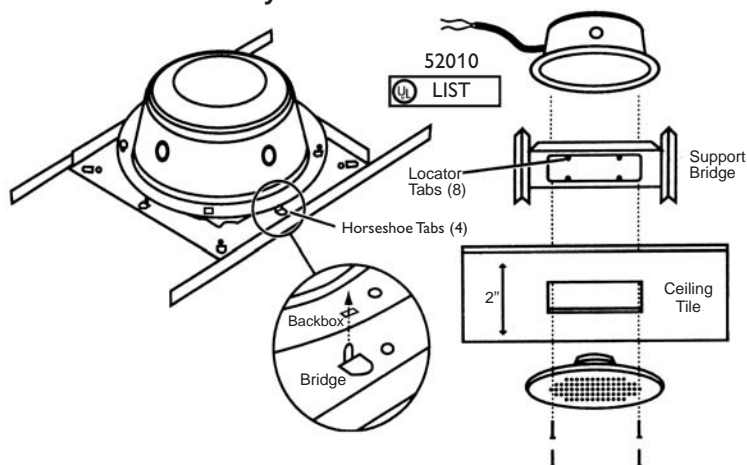
NOTE: Listed by Underwriters Laboratories, Inc., Category UUMW Material and construction permits use where ceiling plenum is part of the air handling system.

A listed assembly requires that the enclosed loudspeaker is not exposed within the air handling plenum. Wiring, and/or conduit enclosure entry fittings, and installation must comply with local codes. Many local codes require a separate enclosure assembly “tie-off” wire to be secured to the top of the ceiling cavity.

Speaker Installation

- Step 1** - Ceiling tile hole: Cut an 8-¹/₂” square hole using the support bridge as a template.
- Step 2** - Bend up the four horseshoe tabs on the support bridge.
- Step 3** - Position the support bridge on the tile and bend the eight locator tabs into the tile opening.
- Step 4** - Install the UL Listed metallic enclosure entry fitting to the knockout to accommodate quarter-inch (plenum) cable, plenum whip, or plenum cable.
- Step 5** - Install the enclosure to the bridge by orienting the four enclosure slots over the four horseshoe tabs of the bridge.
- Step 6** - With pliers, twist the four horseshoe tabs on the bridge one-half turn, securing the enclosure to the bridge.
- Step 7** - Install the Speaker/Baffle assembly with the four supplied screws. (See illustration below).

Speaker/Baffle Assembly



Compound knockouts provided for metallic UL Listed fittings for 1/2” and 3/4” plenum rated cable and plenum whip flex conduit.

Note: Four slots provided on each enclosure to mate with four twist tabs on support bridge eliminates need for screws.

Note: All cable splices and connections to Speaker Transformer pigtails must be made inside of Listed enclosure.

Note: Use 22 AWG Shield, twisted pair on all wire runs. Com Code: 401882956. Pec Code: 2734-SPK